



Parts Diagrams

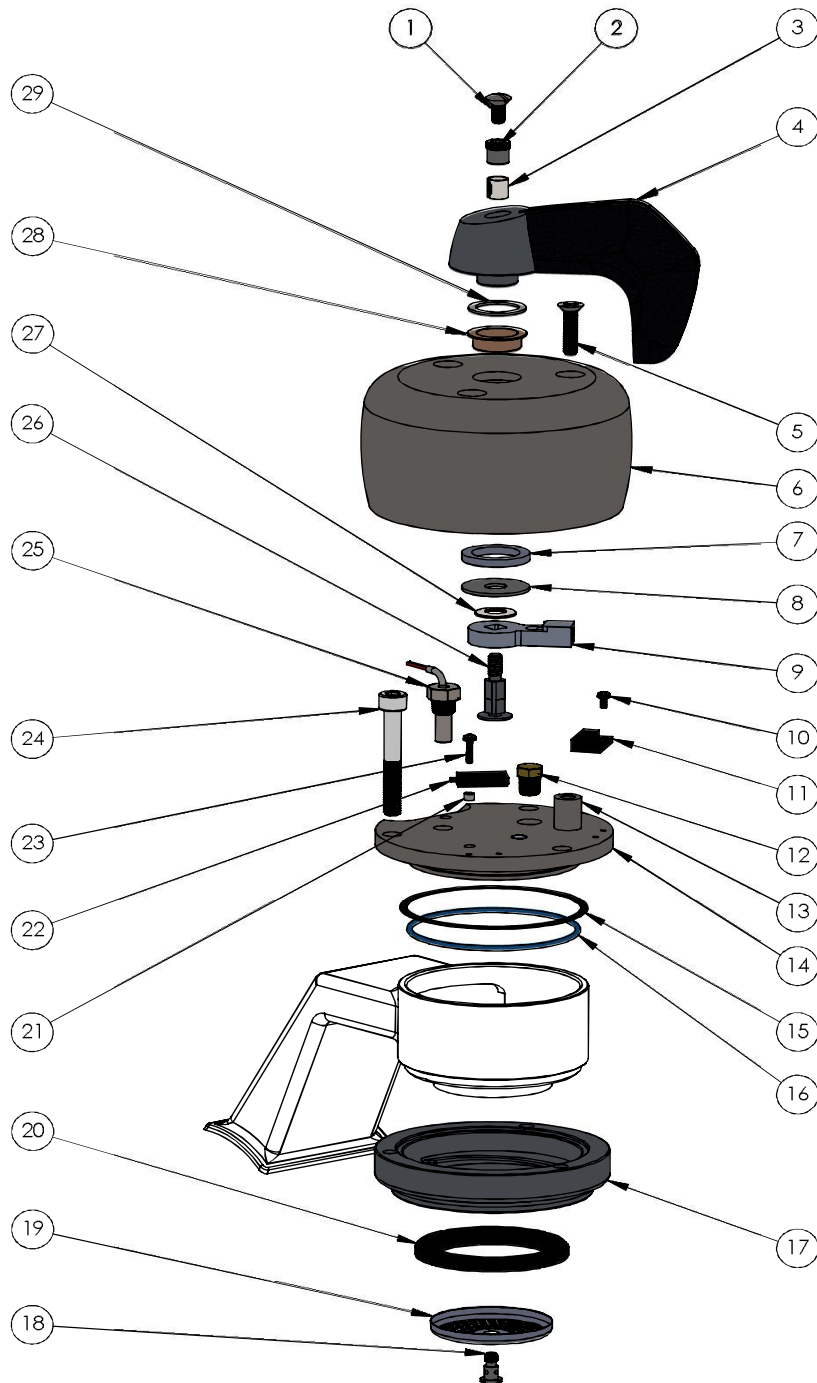
Preventative Maintenance and appropriate water filtration will not only extend the life of your espresso machine, it will additionally maintain the output of high quality beverages. Only qualified service personnel should repair Slayer Espresso machines. Incorrect repair may result in injury and/or damage to the equipment. Please consult your distributor for a qualified Slayer service technician.

CONTENTS

Brew Group Head Components	44	Drain Circuit	60
Brew Tank Assembly	46	Display Assembly	62
Steam Tank Assembly	48	Electronics Components	64
Steam & Hot Water Valve Train	50	Panels, Rails & Wings	66
Steam Wand Assembly	52	Drip Trays & Cup Trays	68
Hot Water Wand Assembly	54	Pump Assembly & Lines	70
Steam Actuator Assemblies	56	Portafilters	72
Water Fill Circuit	58	Wire Map	74

- **Incorrect repair may result in injury and/or damage to the equipment.**
- **Please consult your distributor for a qualified Slayer service technician.**

BREW GROUP HEAD COMPONENTS

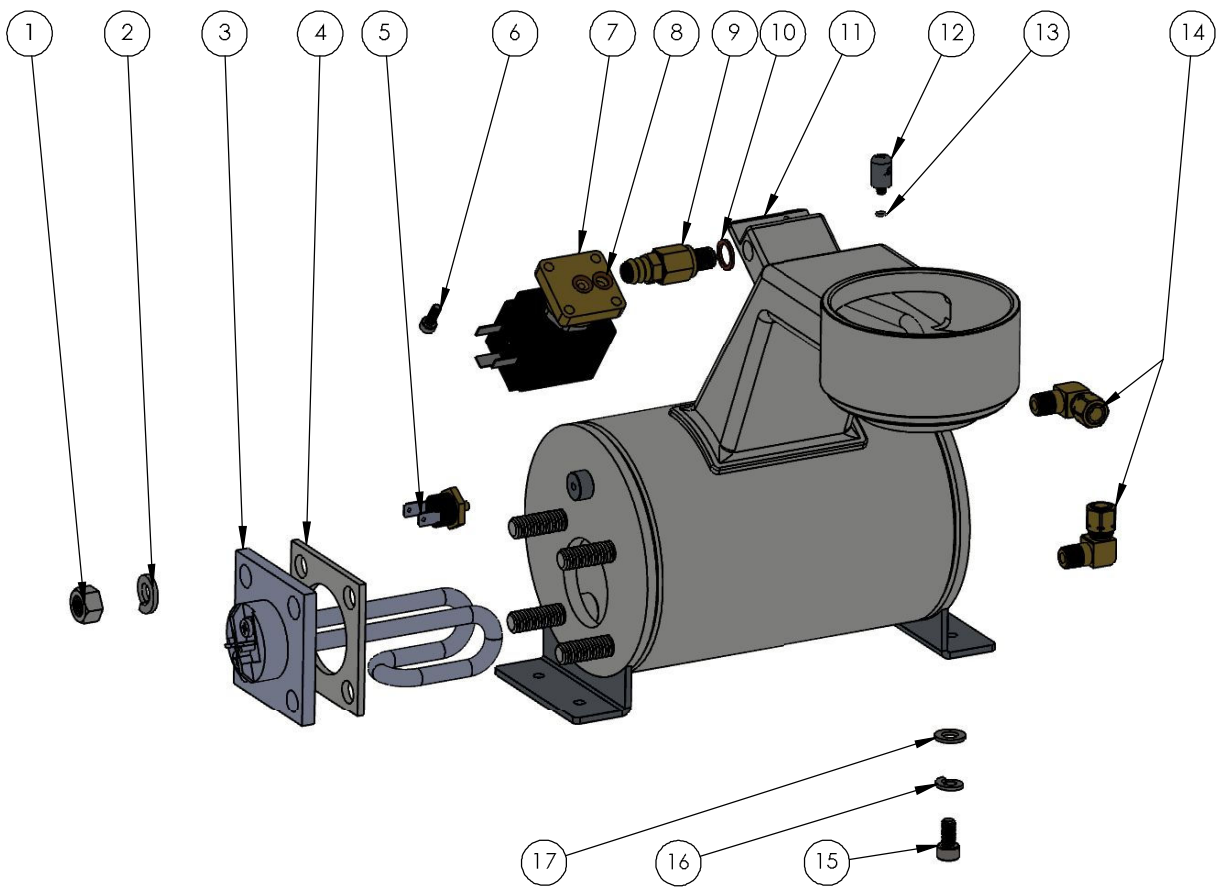




BREW GROUP HEAD COMPONENTS

ITEM NO.	PART NUMBER	DESCRIPTION
1	44000-36152	SCREW, OVAL HD, 1/4-20 X 0.50, SLOTTED, 18-8 SS
2	44000-50210	INSERT NUT FOR BREW HANDLE, STAINLESS
3	44000-50190	SPACER FOR GROUP HANDLE
4	99015-10150	BREW ACTUATOR ASSEMBLY, ONYX DURATEX
5	44000-50260	GROUP COVER MOUNT SCREW
6	20000-16080	GROUP COVER
7	10000-16210	SPACER
8	44000-16220	WASHER, FENDER, 3/8 X 1.25 X 0.05, SS
9	99003-50051	TONGUE ASSY
10	44000-36130	SCREW/WASHER POWER SUPPLY
11	30000-20032	MAG SWITCH, N/C, PINNED
12	42000-34300	BLEED SCREW PLUG
13	46000-50270	STANDOFF, GROUP COVER
14	99004-16100	BREW CAP WITH MAGNET ASSY
15	46000-50100	GROUP CAP PAPER GASKET
16	46000-50090	GROUP CAP O RING
17	20000-56010	BAYONET RING
18	46000-50080	DIFFUSER SCREW, STAINLESS
19	46000-50073	NANO COATED SHOWER SCREEN
20	46000-56091	PORTAFILTER GASKET
21	44000-36000	INVERTED MAG SWITCH SPACER
22	30000-20042	MAG SWITCH, N/O, PINNED
23	44000-36140	SCREW/WASHER FOR INVERTED MAGNET
24	44000-56000	SCREW, SOCKET HEAD CAP, M8 THREAD, 55mm LENGTH, 1.25mm PITCH, STAINLESS
25	30005-20081	THERMISTOR, STEAM - 3K3 NTC
26	10000-16161	STEM, BREW ACTUATOR
27	46000-50240	DISC SPRING
28	10000-16200	OILITE BUSHING
29	46000-53070	TEFLON GASKET 27MM

BREW TANK ASSEMBLY

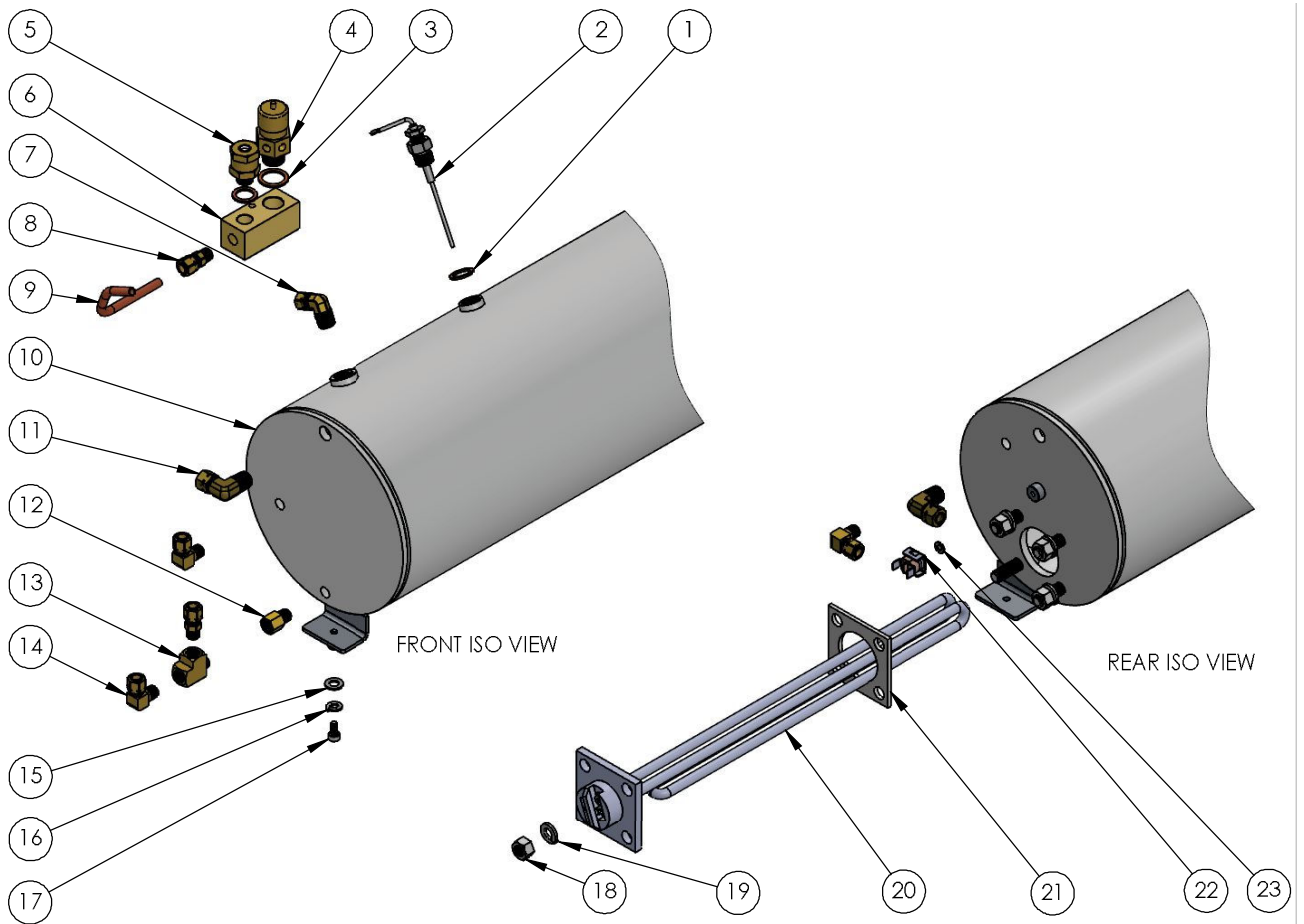




BREW TANK ASSEMBLY

ITEM NO.	PART NUMBER	DESCRIPTION
1	44000-36080	3/8-16 NUT
2	44000-36070	3/8 LOCK WASHER
3	30000-20130	600 WATT BREW TANK ELEMENT
4	30000-20140	ELEMENT GASKET
5	30000-20251	THERMOSTAT,110C
6	44005-10090	SHCS,M4-0.7X12MM,18-8 SS
7	30000-20153	3-WAY SOLENOID VALVE, 2mm, FORGED FLANGE, 24VDC
8	46000-10040	O-RING,FKM,DASH NO. -010
9	42000-34300	BLEED SCREW PLUG
10	46000-50040	COPPER WASHER, G1/8
11	15005-16061	BREW TANK, STEAM
12	10005-16061	GIGGLEUR, 0.6mm
13	46000-10010	O RING FOR JET HOLDER, 1 X 3
14	42000-34560	FITTING, 90 DEG ELBOW FOR 1/4" TUBE OD X 1/8" NPTF - M, BRASS
15	44005-10012	SHCS,M6-1.0X12MM,18-8 SS
16	44000-36110	LOCK WASHER, TANK MOUNT
17	46000-53040	WASHER, FLAT, M7 SCREW SIZE, 14mm OD, 1.4mm-1.8mm THICK
18	30000-20443	HARNESS, BREW TANK CONNECTION (NOT SHOWN)

STEAM TANK ASSEMBLY

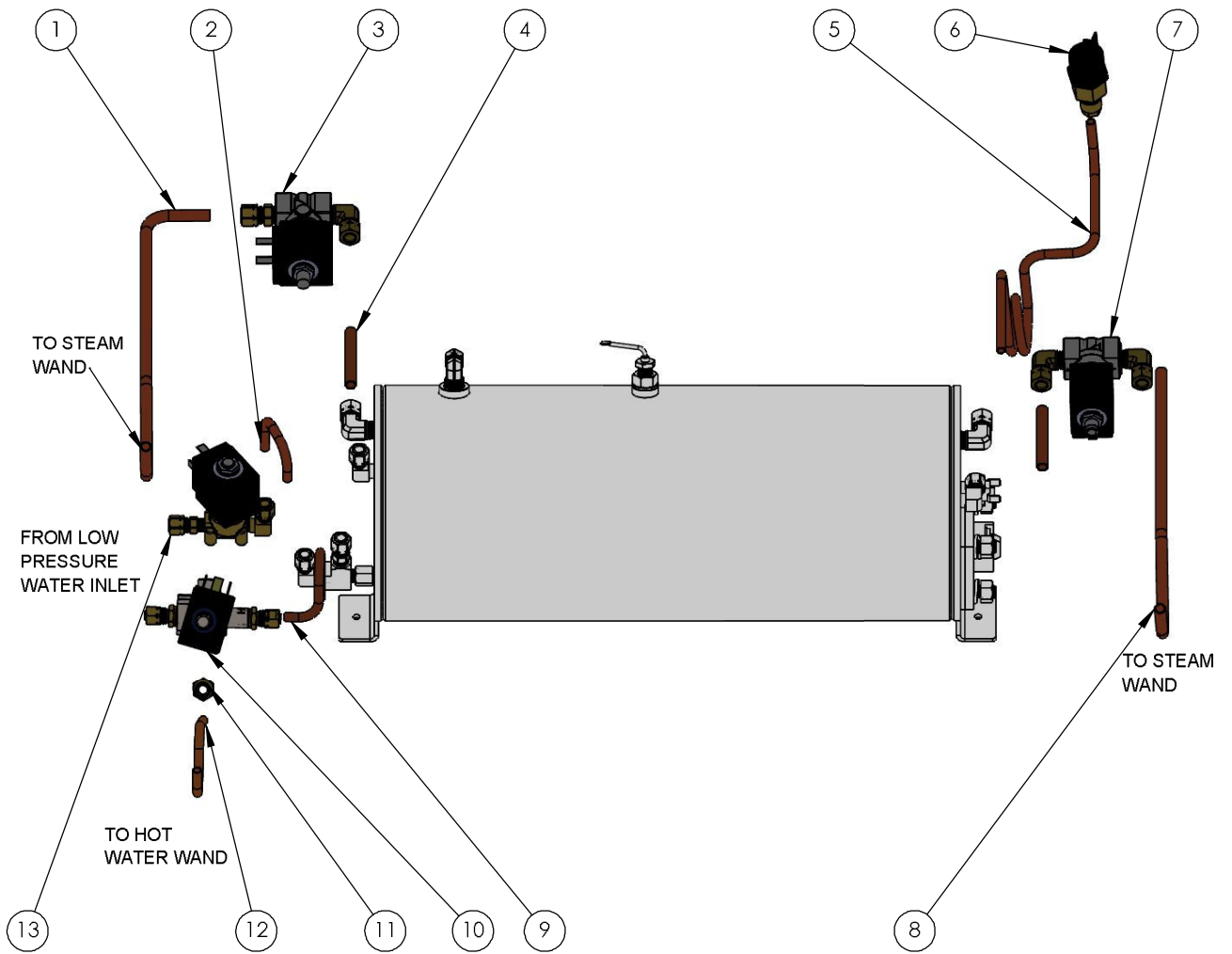




STEAM TANK ASSEMBLY

ITEM NO.	PART NUMBER	DESCRIPTION
1	46000-50150	GASKET FOR ANTI SUCTION, 1/4"
2	30000-50170	WATER LEVEL PROBE, STEAM / SINGLE GRP,103mm
3	46000-50130	COPPER GASKET FOR PRV, 3/8"
4	46000-50120	PRV, 2.5 BAR
5	46000-50140	VALVE, ANTI-SUCTION/VACUUM, 1/4"
6	10005-03030	PRV MANIFOLD, STEAM
7	42000-34702	FITTING, EASY-ALIGN, COMPRESSION TUBE, ELBOW FOR 1/4" TUBE OD X 1/4" M PIPE, BRASS
8	42000-34500	FITTING, 1/4" TUBE OD X 1/8" NPTF - M, BRASS
9	40005-32170	STEAM PRV TUBE
10	15005-12110	STEAM TANK, SLAYER STEAM, 2 GROUP
	15005-13110	STEAM TANK, SLAYER STEAM, 3 GROUP
11	42000-34680	FITTING, EASY-ALIGN, COMPRESSION TUBE, 5/16" OD TUBE X 1/4" M PIPE, BRASS
12	42000-10040	EXTENSION, FITTING, 1/8" - F X 1/8" - M
13	42000-34580	FITTING, THREADED PIPE, 1/8" PIPE SIZE, TEE, F X F X M, NICKEL
14	42000-34560	FITTING, 90 DEG ELBOW FOR 1/4" TUBE OD X 1/8" NPTF - M, BRASS
15	46000-53040	WASHER, FLAT, M7 SCREW SIZE, 14mm OD, 1.4mm-1.8mm THICK
16	44000-36110	LOCK WASHER, TANK MOUNT
17	44005-10100	SHCS,M5-0.8X10MM,18-8 SS
18	44000-36080	3/8-16 NUT
19	44000-36070	3/8 LOCK WASHER
20	30000-20090	STEAM ELEMENT, 220V, 3500W, 2 GROUP
	30000-20100	STEAM ELEMENT, 220V, 4500W, 3 GROUP
21	30000-20140	ELEMENT GASKET
22	30000-20261	THERMOSTAT, 25A, 145C, STEAM TANK
23	44000-10030	WSHR,FLT,#8,ALUMINUM

STEAM & HOT WATER VALVE TRAIN

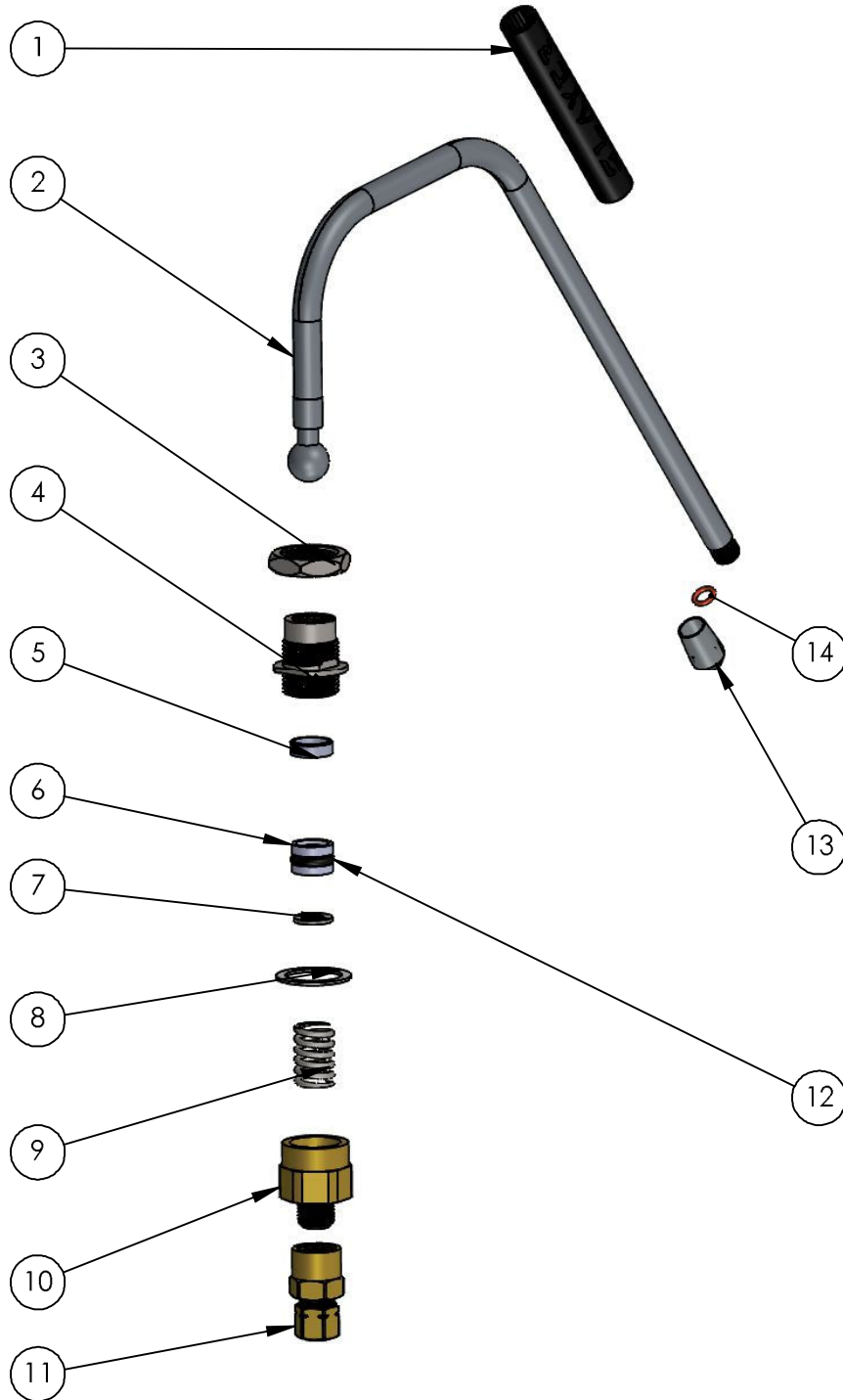




STEAM & HOT WATER VALVE TRAIN

ITEM NO.	PART NUMBER	DESCRIPTION
1	40015-32007	STEAM ACTUATOR TO LEFT WAND TUBE, STEAM BASIC
2	40005-32110	FLOW METER TUBE
3	99015-10001	STEAM SOLENOID ASSEMBLY,L,STEAM EP
4	40015-32003	STEAM TANK TO ACTUATOR TUBE, STEAM BASIC
5	40015-32010	ELTEK PRESSURE TRANSDUCER TUBE, STEAM
6	99005-17010	PRESSURE TRANSDUCER ASSEMBLY, ELTEK
7	99015-10002	STEAM SOLENOID ASSEMBLY,R,STEAM EP
8	40015-32005	STEAM ACTUATOR TO RIGHT WAND TUBE, STEAM BASIC
9	40015-32100	STEAM TANK TO HOT WATER MIX TUBE, STEAM LP
10	99015-10070	HOT WATER ASSEMBLY, SLAYER STEAM
11	44000-36220	FITTING, 45 DEGREE, FLARED, SHORT NUT FOR 1/4" TUBE OD, BRASS
12	40005-10016	OUTLET TUBE, MIXED WATER
13	99015-10080	STEAM FILL ASSEMBLY

STEAM WAND ASSEMBLY

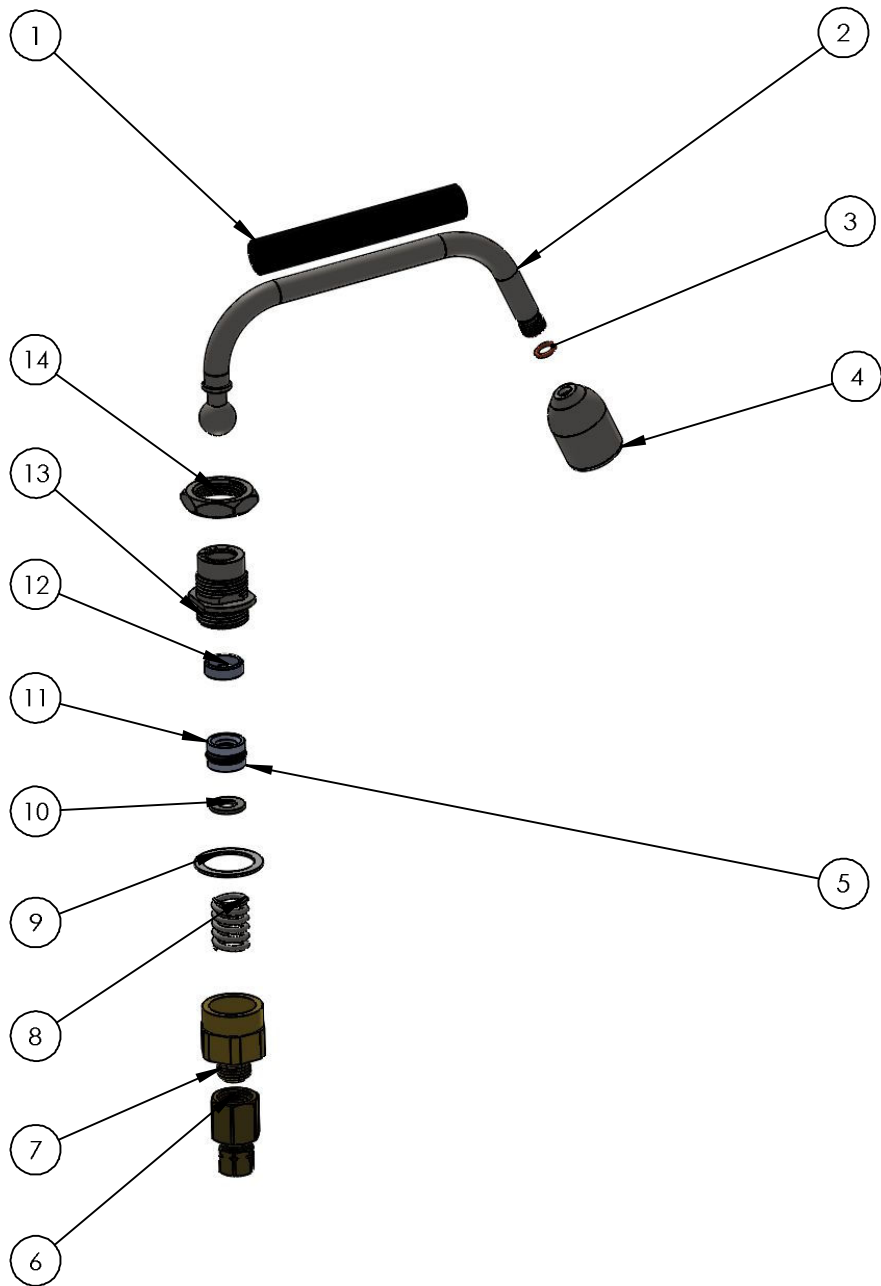




STEAM WAND ASSEMBLY

ITEM NO.	PART NUMBER	DESCRIPTION
1	46005-53170	GRIP, STEAM WAND, COOL TOUCH
2	40005-50330	STEAM WAND, SLAYER STEAM
3	10005-10008	STEAM AND HOT WATER LOCK NUT
4	10005-10002	STEAM, WAND SOCKET
5	46005-53110	STEAM SEAL
6	46005-53060	BUSHING 15 X 10.5 MM, STEAM
7	46000-53040	WASHER, FLAT, M7 SCREW SIZE, 14mm OD, 1.4mm-1.8mm THICK
8	46000-53070	TEFLON GASKET 27MM
9	46005-53030	ARTICULATION SPRING FOR STEAM VALVE, 13X18MM
10	46005-53010	REAR BLOCK FOR STEAM ASSEMBLY
11	42000-34540	FITTING, 5/16" TUBE OD X 1/4" NPTF - F, BRASS
12	46000-53050	O-RING FOR VALVE BUSHING
13	46000-50340	STEAM TIP, 1.0mm, #0
	46000-50341	STEAM TIP, 1.1mm, #1
	46000-50342	STEAM TIP, 1.2mm, #2
	46000-50343	STEAM TIP, 1.3mm, #3 (STANDARD)
	46000-50344	STEAM TIP, 1.4mm, #4
	46000-50345	STEAM TIP, 1.5mm, #5
	46000-50346	STEAM TIP, 1.6mm, #6
14	46000-50030	O RING FOR STEAM TIP, 1.5 X 6

HOT WATER WAND ASSEMBLY



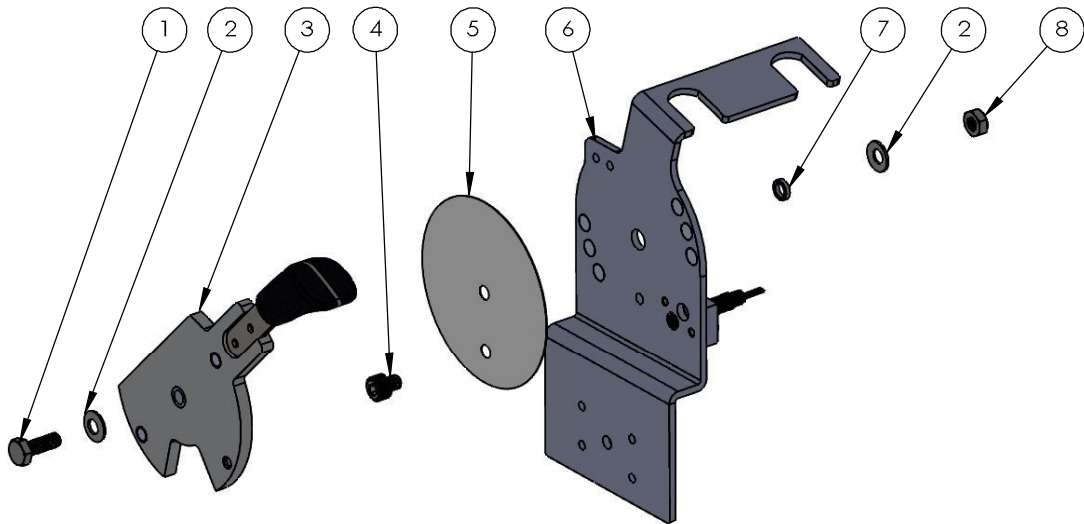


HOT WATER WAND ASSEMBLY

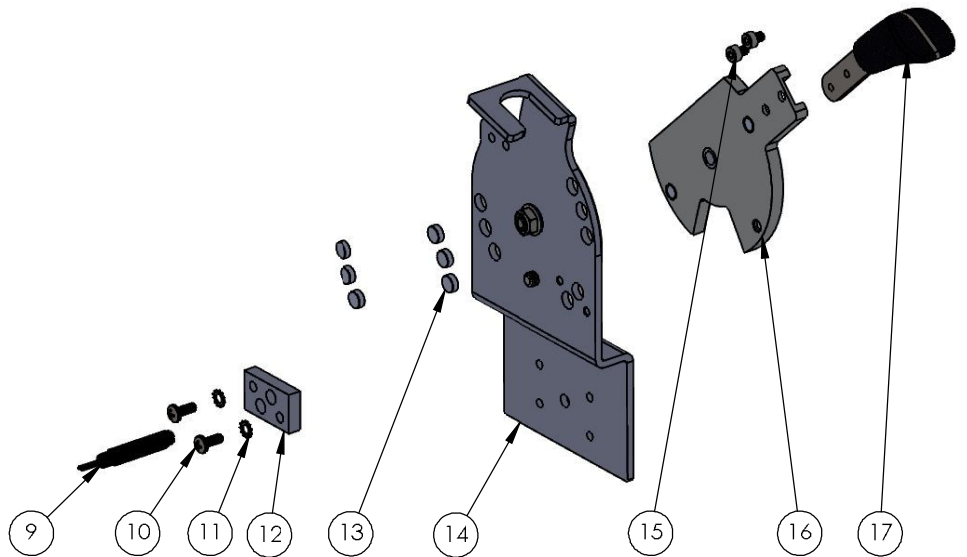
ITEM NO.	PART NUMBER	DESCRIPTION
1	46005-53170	GRIP, STEAM WAND, COOL TOUCH
2	40004-50450	HOT WATER WAND, HOME MACHINE
3	46000-50030	O RING FOR STEAM TIP, 1.5 X 6
4	46000-50350	HOT WATER SPOUT
5	46000-53050	O-RING FOR VALVE BUSHING
6	42000-34710	EASY-ALIGN BRASS COMPRESSION TUBE FITTING, STRAIGHT ADAPTER FOR 1/4" TUBE OD X 1/4 FEMALE PIPE
7	46005-53010	REAR BLOCK FOR STEAM ASSEMBLY
8	46005-53030	ARTICULATION SPRING FOR STEAM VALVE, 13X18MM
9	46000-53070	TEFLON GASKET 27MM
10	46000-53040	WASHER, FLAT, M7 SCREW SIZE, 14mm OD, 1.4mm-1.8mm THICK
11	46005-53060	BUSHING 15 X 10.5 MM, STEAM
12	46005-53110	STEAM SEAL
13	10005-10002	STEAM, WAND SOCKET
14	10005-10008	STEAM AND HOT WATER LOCK NUT

STEAM ACTUATOR ASSEMBLIES

LEFT



RIGHT

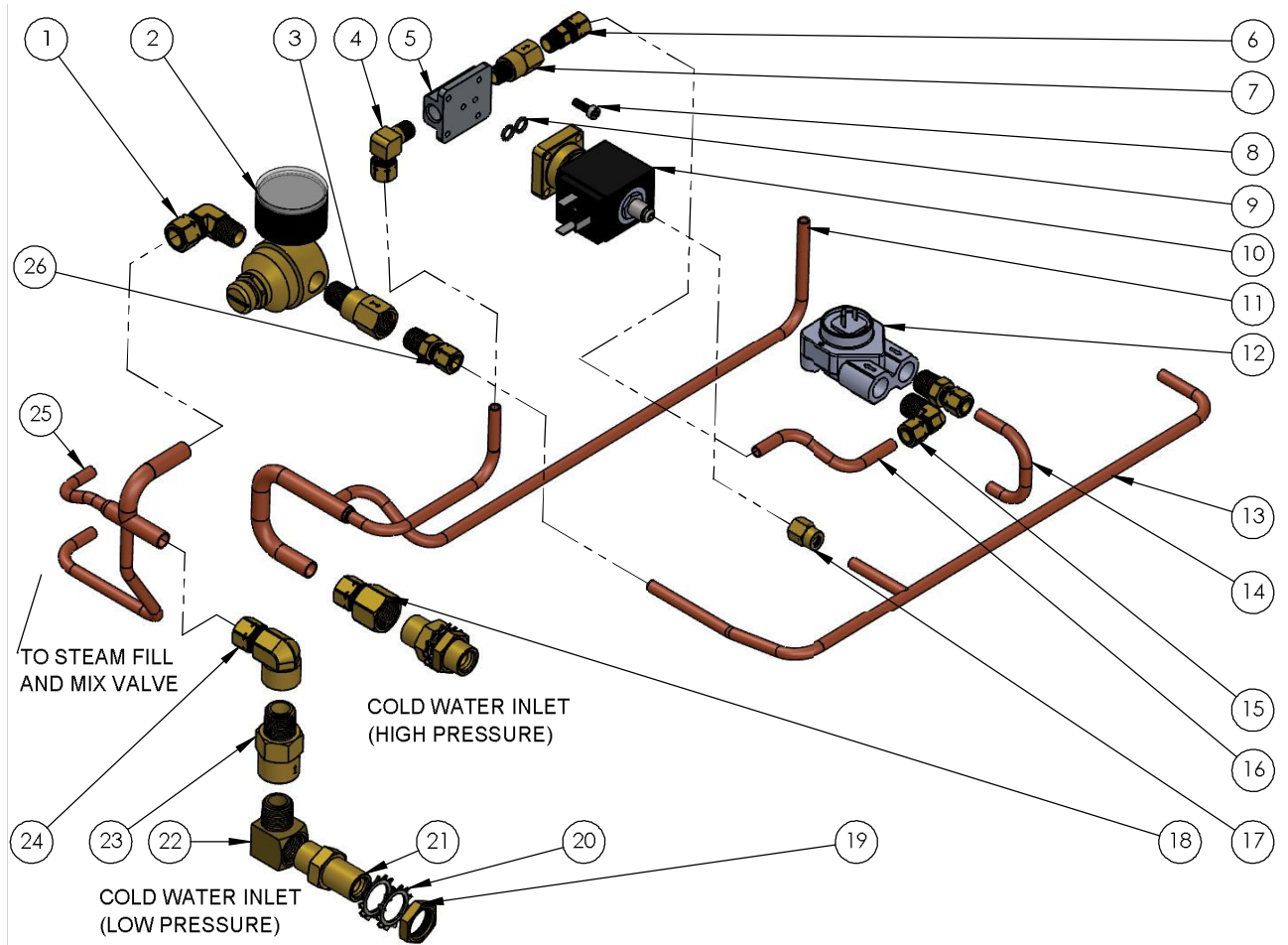




STEAM ACTUATOR ASSEMBLIES

ITEM NO.	PART NUMBER	DESCRIPTION
1	44000-36102	BOLT, HEX HEAD, 1/4-20 X 3/4
2	44005-10320	PLASTIC STEAM ACTUATOR DISK SPRING
3	99015-10004	LEFT ACTUATOR HANDLE ASSEMBLY
4	44000-36260	ACTUATOR, STEAM, STOP BOLT, SHORT
5	46005-01010	TEFLON GASKET
6	13005-30045	CHASSIS BRACE LEFT FRONT, STEAM
7	10005-02010	STEAM ACTUATOR BUSHING, SMALL
8	46005-10026	18-8 STAINLESS STEEL THIN NYLON-INSERT LOCKNUT, 1/4-20
9	30005-20031	BARREL SWITCH W/ MOLEX, N/C
10	44005-10340	SCREW, PHMS, M4-0.7X10MM, PHILLIPS, 18-8 SS
11	44005-10350	18-8 EXTERNAL-TOOTH LOCK WASHER FOR M4 SCREW
12	10005-03090	MAGNETIC SWITCH MOUNT
13	46003-50061	NEODYMIUM DISC MAGNET, 5/16" DIAMETER, 1/8" THICK, 4.4LBS PULL, NICKEL
14	13005-30009	CHASSIS BRACE RIGHT FRONT, STEAM
15	44000-36310	SOLENOID MOUNT SCREW
16	99015-10003	RIGHT ACTUATOR HANDLE ASSEMBLY
17	24015-10002	STEAM ACTUATOR HANDLE, ONYX DURATEX

WATER FILL CIRCUIT

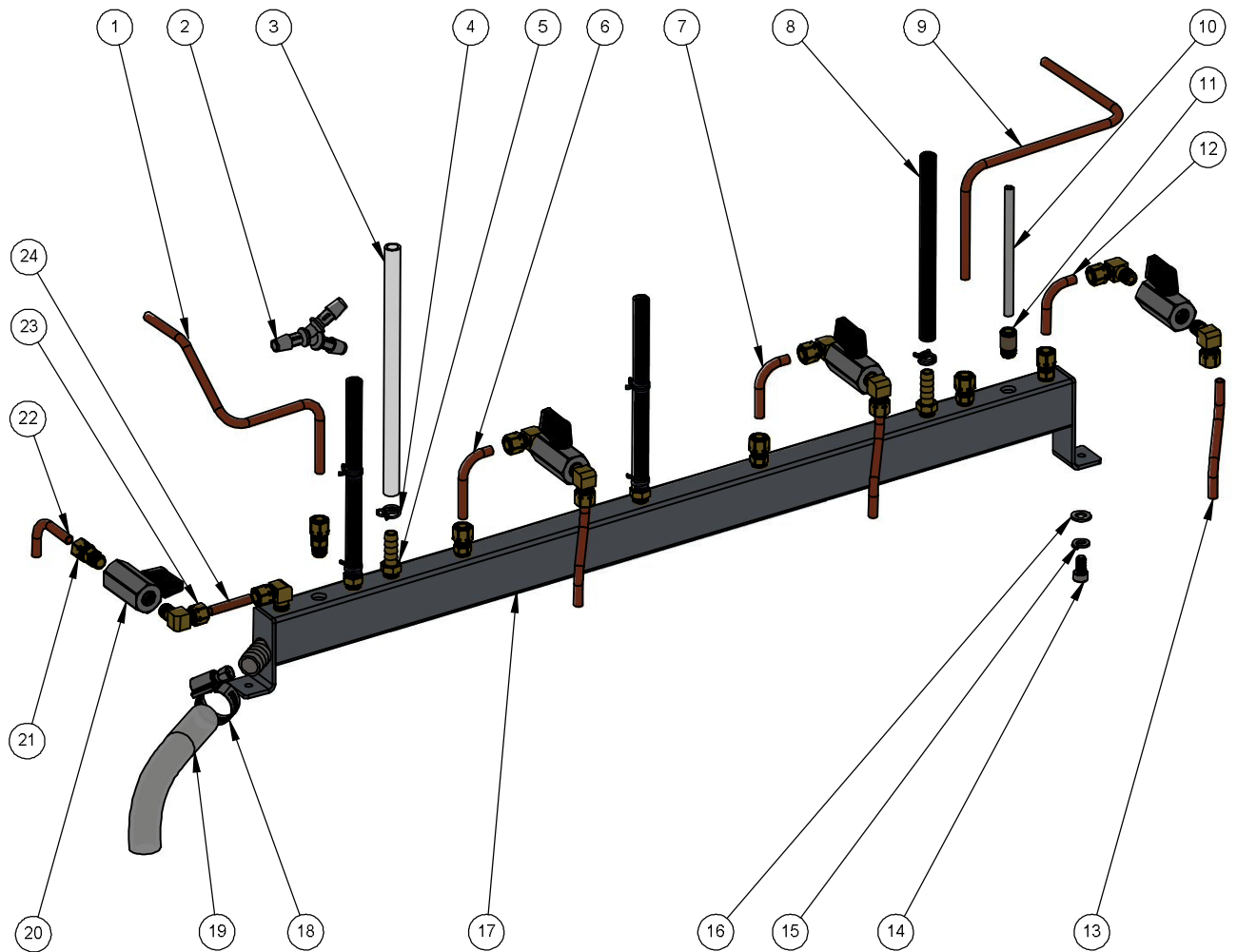




WATER FILL CIRCUIT

ITEM NO.	PART NUMBER	DESCRIPTION
1	42000-34170	COMPRESSION TUBE FITTING, ELBOW FOR 3/8" TUBE OD X 1/4 NPT
2	30015-58070	SMALL PRESSURE REGULATOR, STEAM LP
3	42000-10120	CHECK VALVE, 1/4 MNPT X 1/4FNPT, 1PSI, BRASS
4	42000-34560	FITTING, 90 DEG ELBOW FOR 1/4" TUBE OD X 1/8" NPTF - M, BRASS
5	10999-20191	SOLENOID MOUNT
6	42000-34500	FITTING, 1/4" TUBE OD X 1/8" NPTF - M, BRASS
7	42000-10110	CHECK VALVE, 1/8 MNPT X 1/8 FNPT, 1PSI, BRASS
8	44005-10090	SHCS,M4-0.7X12MM,18-8 SS
9	46000-10040	O-RING, FKM, DASH NUMBER-010
10	30000-20153	3-WAY SOLENOID VALVE, 2mm, FORGED FLANGE, 24VDC
11	40015-32040	BREW DISTRIBUTION TUBE ASSY, STEAM LP 2 GROUP
	40015-32030	BREW DISTRIBUTION TUBE ASSY, STEAM LP 3 GROUP
12	30005-21200	FLOW METER
13	40015-32014	PREINFUSION TUBE ASSY, STEAM LP, 2 GROUP
	40015-32015	PREINFUSION TUBE ASSY, STEAM LP, 3 GROUP
14	40005-32110	FLOW METER TUBE
15	42000-34530	FITTING, EASY-ALIGN, COMPRESSION TUBE, ELBOW FOR 1/4" TUBE OD X 1/4 - M PIPE, BRASS
16	40005-32016	3 WAY TO FLOW METER TUBE, STEAM LP
17	42005-10010	TUBE NUT, G1/8 TO 1/4 COMPRESSION
18	42000-34540	FITTING, 3/8" TUBE OD X 3/8" NPTF - F, BRASS
19	44000-10010	BRASS NUT - SCREW/BOTH
20	44000-36360	LOCKWASHER, EXTERNAL TOOTH, FOR M16
21	42000-10010	EXTENSION 3/8-19 BSPP FITTING
22	42004-34500	MEDIUM-PRESSURE BRASS THREADED PIPE FITTING, 3/8 PIPE SIZE, 90 DEG M X F ELBOW
23	46005-34620	1 WAY VALVE
24	42015-10010	ELBOW,90 DEG,3/8 FNPT, X 3/8 COMP TUBE
25	40015-32090	LINE PRESSURE TUBE ASSY, STEAM LP
26	42000-34700	FITTING, ADAPTER, 1/4" COMP TUBE XX 1/4 M PIPE, BRASS

DRAIN CIRCUIT

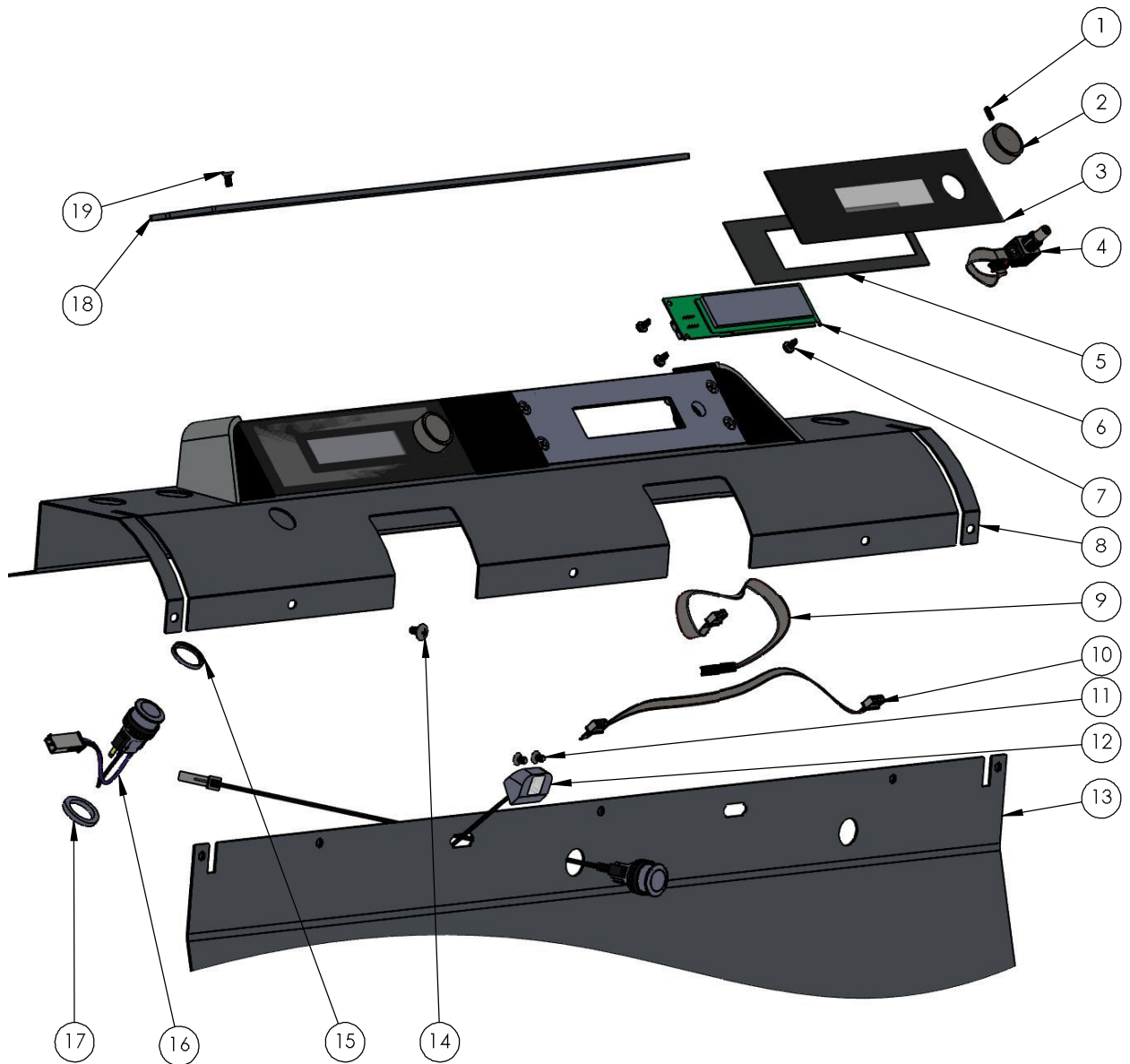




DRAIN CIRCUIT

ITEM NO.	PART NUMBER	DESCRIPTION
1	40015-32009	STEAM ACTUATOR DRAIN TUBE, LEFT
2	42000-10130	WYE CONNECTOR, BARBED, 3/8 TUBE, 226F, HDPE
3	40000-32150	HIGH-TEMPERATURE SILICONE RUBBER TUBING, SOFT, 5/16" ID, 7/16" OD, 1/16" WALL, WHITE
4	44000-36280	SPRING CLIP, 3-WAY SOLENOID VALVE, 11.6-12.2mm, MEDIUM
5	42005-10000	FITTING, BARBED HOSE, ADAPTER FOR 5/16" HOSE ID X 1/8" NPTF - M PIPE, BRASS
6	40005-32104	LONG DRAIN BAR ELBOW
7	40005-32105	MIDE LENGTH DRAIN BAR ELBOW
8	40000-32180	EPDM RUBBER TUBING, 5/16 ID X 7/16 OD
9	40015-32008	STEAM ACTUATOR DRAIN TUBE, RIGHT
10	40000-32050	EXTREME-TEMP TUBING, TEFLON, SEMI-CLEAR WHITE 1/8" ID, 1/4" OD
11	42000-34220	FITTING, TUBE, HEX SOCKET ADAPTER FOR 1/4" TUBE OD, 1/8" NPT M, POLYBUTYLENE & NICKEL
12	40005-32106	SHORT DRAIN BAR ELBOW
13	40005-32050	BREW TANK TO BALL VALVE
14	44005-10012	SHCS, M6-1.0X12MM, 18-8 SS
15	44000-36110	LOCK WASHER, TANK MOUNT
16	46000-53040	WASHER, FLAT, M7 SCREW SIZE, 14mm OD, 1.4mm-1.8mm THICK
17	13005-20018	DRAIN MANIFOLD, STEAM, 2GP
	13005-30018	DRAIN MANIFOLD, STEAM, 3 GROUP
18	40000-32060	WORM-DRIVE HOSE CLAMP, NONSLIP SCREW 1/2" TO 1-1/16" CLAMP DIAMETER RANGE, 9/16" BAND WIDTH
19	40000-32170	3-A SANITARY CLEAR PVC VACUUM TUBING 5/8" ID, 7/8" OD, 1/8" WALL THICKNESS
20	42000-50290	BALL VALVE, 1/8" NPT
21	42000-34500	FITTING, 1/4" TUBE OD X 1/8" NPTF - M, BRASS
22	40005-32100	BALL VALVE TO DRAIN TUBE
23	42000-34560	FITTING, 90 DEG ELBOW FOR 1/4" TUBE OD X 1/8" NPTF - M, BRASS
24	40005-32060	HOT WATER TO MIX VALVE TUBE

DISPLAY ASSEMBLY

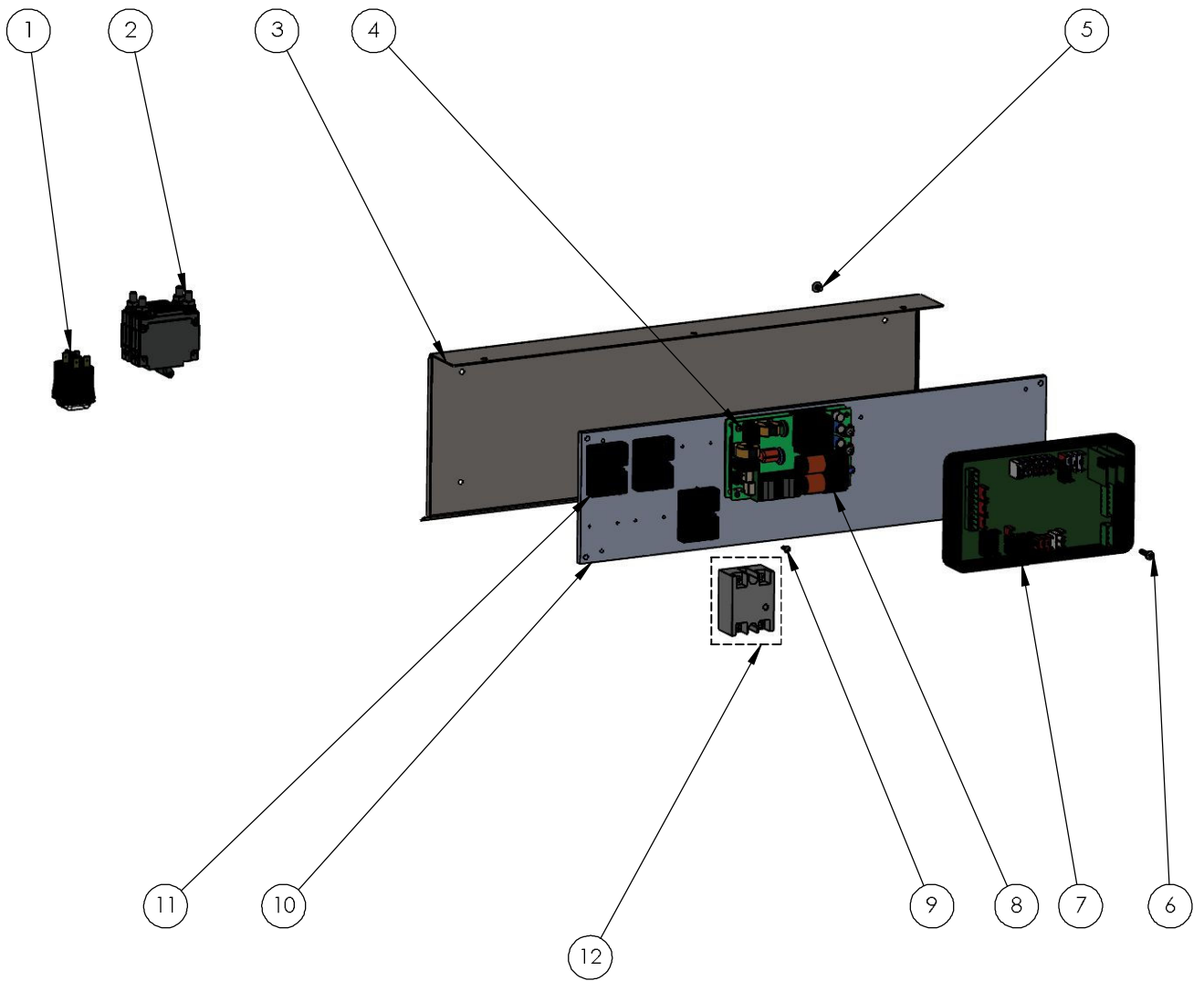




DISPLAY ASSEMBLY

ITEM NO.	PART NUMBER	DESCRIPTION
1	44005-10220	SHSS,M3-0.5X8MM,FLAT POINT,316 SS
2	10005-03010	ENCODER KNOB, STEAM
3	26005-10000	DISPLAY GLASS
4	30005-03010	OPTICAL ENCODER
5	46005-21010	VHB ON BACKING BOARD FOR DISPLAY SCREEN
6	30005-60110	OLED DISPLAY ASSEMBLY, SLAYER STEAM
7	44005-10380	SCREW, SELF TAPPING, 6-32X0.25,PHILLIPS,SS
8	13005-30026	FRONT PANEL, UPPER, STEAM, 3G
	13005-20026	FRONT PANEL, UPPER, STEAM, 2G
9	30005-10120	DISPLAY INTERFACE CABLE, 200mm
10	30005-10110	DISPLAY JUMPER CABLE, 400mm
11	44005-10160	SCREW,M4-0.7X6 mm, FH, PHILLIPS,SS
12	99005-10200	SHOT LIGHT ASSEMBLY, STEAM
13	13015-10010	FRONT PANEL, LOWER, STEAM LP, 2 GROUP
	13015-10020	FRONT PANEL, LOWER, STEAM LP, 3 GROUP
14	44005-10080	SCREW, TRUSS HD, EW, M4-0.7X8 mm, 18-8 SS
15	10005-03070	BUTTON RING, UPPER
16	30005-20341	MOMENTARY PUSH BUTTON, HOT WATER, WIRED
17	10005-03080	BUTTON RING, LOWER
18	13005-30052	DISPLAY COVER, UPPER PANEL, STEAM, 3 GROUP
	13005-20052	DISPLAY COVER, UPPER PANEL, STEAM, 2 GROUP
19	44005-10211	SCREW, M4-0.7X8 mm, FH, PHILLIPS, SS

ELECTRONICS COMPONENTS

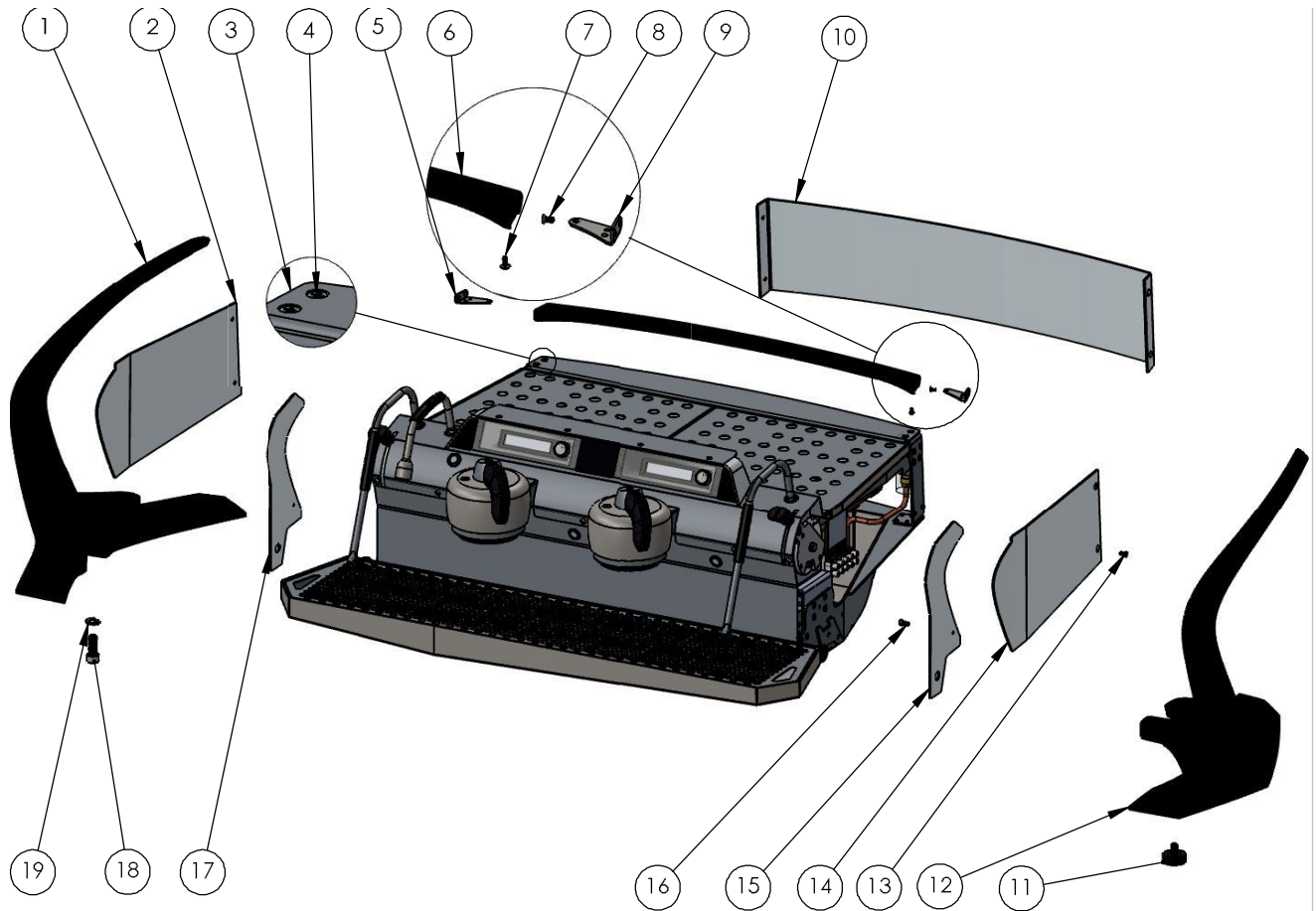




ELECTRONICS COMPONENTS

ITEM NO.	PART NUMBER	DESCRIPTION
1	30005-20270	2 POLE ROCKER BREAKER SWITCH
2	30000-20230	BREAKER,30A,2POLES 2 GROUP MACHINES ONLY
	30000-20240	BREAKER, 40A, 2 POLES 3 GROUP MACHINES ONLY
3	13005-20027	ELECTRICAL SHIELD ASSEMBLY, STEAM, 2 GROUP
	13005-30027	ELECTRICAL SHIELD, ASSEMBLY, STEAM, 3 GROUP
4	44004-36140	SCREW, PAN HEAD PHILLIPS, M3 SIZE, 20mm LENGTH, .5mm PITCH, STAINLESS
5	44005-10080	SCREW, TRUSS HD,EW,M4-0.7X8MM, PHILLIPS,18-8 SS
6	44005-10370	SCREW,M4-0.7X16.0,PHMS,PHILLIPS,18-8
7	30005-10080	MAIN BRAIN, SLAYER STEAM
8	30000-20003	POWER SUPPLY, COSEL, 500 WATT
9	44005-10390	SCREW,M3-0.5X8.0,PHMS,PHILLIPS,18-8
10	10005-20010	SUB PLATE, STEAM
11	30005-20011	SOLIDE STATE RELAY, 20A, 24VDC, BREW TANKS AND 2 GROUP STEAM TANK
12	30000-20050	RELAY,SOLID STATE,40A 3 GROUP STEAM TANK

PANELS, RAILS & WINGS

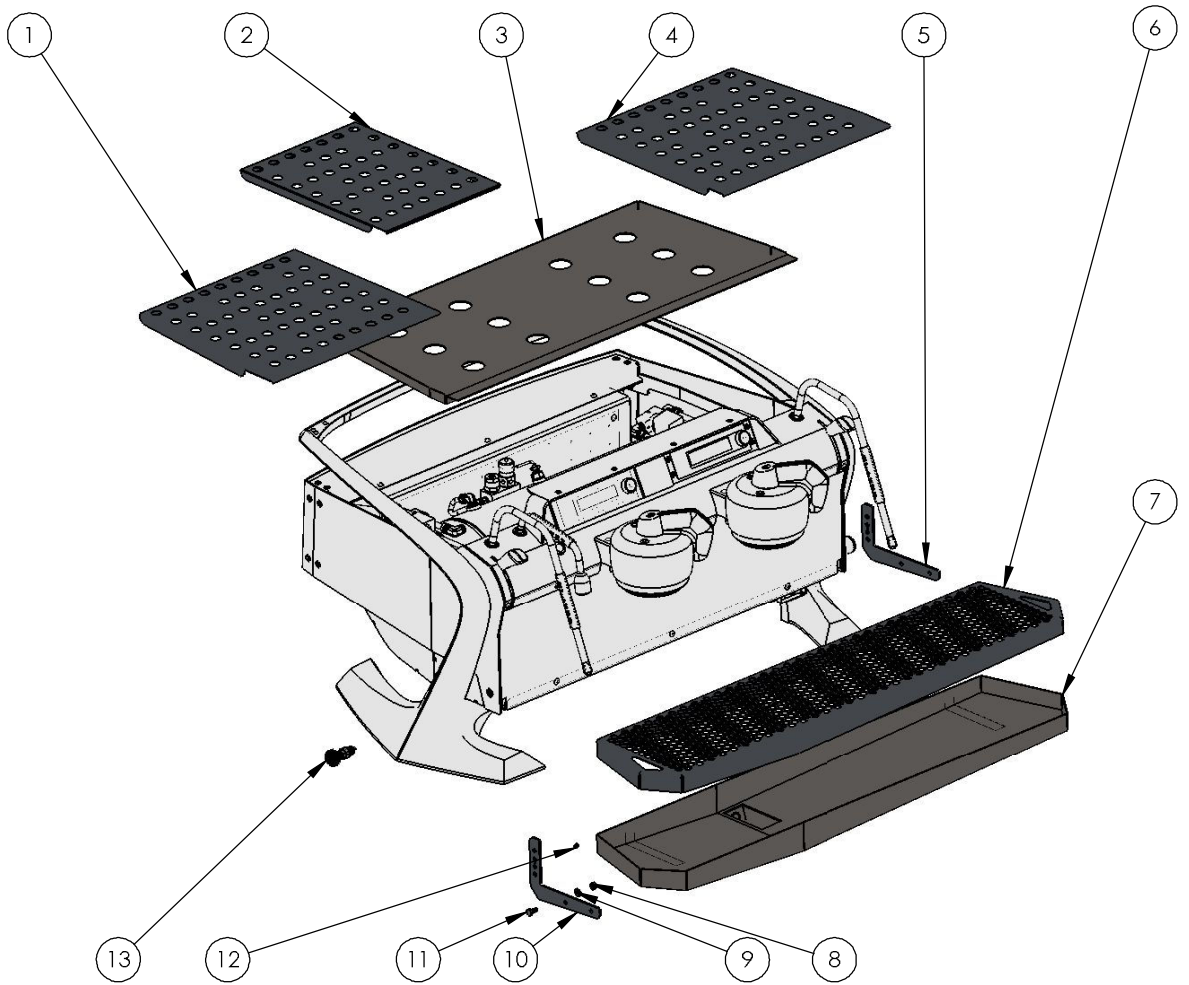




PANELS, RAILS & WINGS

ITEM NO.	PART NUMBER	DESCRIPTION
1	20215-11000-44	WING SUPPORT, LEFT, STEAM - INK BLACK
2	13025-30016	SIDE PANEL, LEFT REAR, STEAM, MIRROR SS
3	13005-20013	REAR SUPPORT, STEAM, 2GP
	13015-30013	REAR SUPPORT, STEAM, 3GP
4	44005-10120	FHMS,M5-0.8X8MM,PHILLIPS,18-8 SS
5	13005-20047	CUP TRAY RAIL CLIP, LEFT, STEAM, 2 GROUP
	13005-30047	CUP TRAY RAIL CLIP, LEFT, STEAM, 3 GROUP
6	10015-20015-74	CUP RAIL, STEAM BASIC, 2 GROUP, INK BLACK
	10005-10015-74	BACK RAIL, STEAM BASIC, 3 GROUP, INK BLACK
7	44005-10017	SCREW, TRUSS HD, EW, M3-0.5X8MM, PHILLIPS, 18-8 SS
8	44005-10211	FHMS,M4-0.7X8MM,PHILLIPS,18-8 SS
9	13005-20047	CUP TRAY RAIL CLIP, LEFT, STEAM, 2 GROUP
	13005-30047	CUP TRAY RAIL CLIP, LEFT, STEAM, 3GROUP
10	13025-20090	BACK PANEL, STEAM, 2GP, MIRROR SS
	13025-30090	BACK PANEL, STEAM, 3GP, MIRROR SS
11	46000-50180	RUBBER FOOT, SLAYER STEAM
12	20215-10000-44	WING SUPPORT, RIGHT, STEAM -INK BLACK
13	44000-36064	FHMS,M5-0.8X10MM,PHILLIPS,18-8 SS
14	13025-30015	SIDE PANEL, RIGHT REAR, STEAM, MIRROR SS
15	13025-30044	FRONT SIDE PANEL, STEAM, CLEAR ANODIZED
16	44005-10100	SHCS,M5-0.8X10MM,18-8 SS
17	44005-10043	SLW,M12,18-8 SS
18	44005-10110	SHCS,M12-1.75X30MM,18-8 SS
19	44005-10043	SLW,M12,18-8 SS

DRIP TRAYS & CUP TRAYS

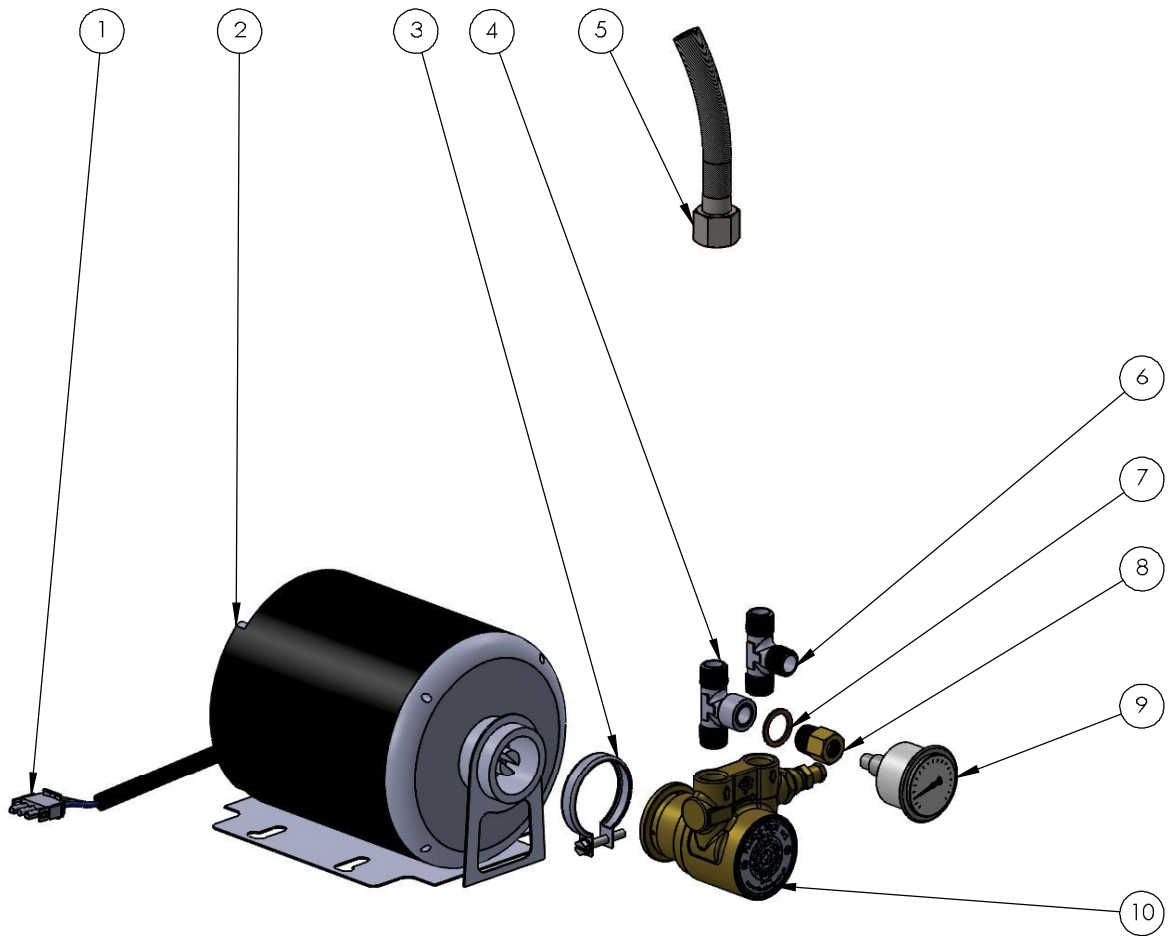




DRIP TRAYS & CUP TRAYS

ITEM NO.	PART NUMBER	DESCRIPTION
1	13005-30034	CUP TRAY COVER, LEFT, STEAM
2	13005-30035	CUP TRAY COVER, CENTER, STEAM (for 3 Group Only)
3	13005-20029	CUP TRAY, STEAM, 2GP
	13005-30029	CUP TRAY, LOWER, STEAM, 3GP
4	13005-30033	CUP TRAY COVER, RIGHT, STEAM
5	13005-30039	DRIP TRAY, ADJ. RAIL, RIGHT
6	13005-20038	DRIP TRAY COVER, STEAM, 2GP
	13005-30038	DRIP TRAY COVER, STEAM, 3G
7	13005-20037	DRIP TRAY LINER, STEAM, 2 GP
	13005-30037	DRIP TRAY LINER, STEAM, 3 GP
8	44005-10050	HEX NUT, M6-1.0,18-8 SS
9	44000-36110	LOCK WASHER, TANK MOUNT
10	13005-30040	DRIP TRAY, ADJ. RAIL, LEFT
11	44005-10030	HHCS, M6-1.0X12MM, 18-8 SS
12	44005-10410	SHCS, 6-32 X 0.13, 18-8 SS
13	44005-50080	SPRING PIN

PUMP ASSEMBLY & LINES

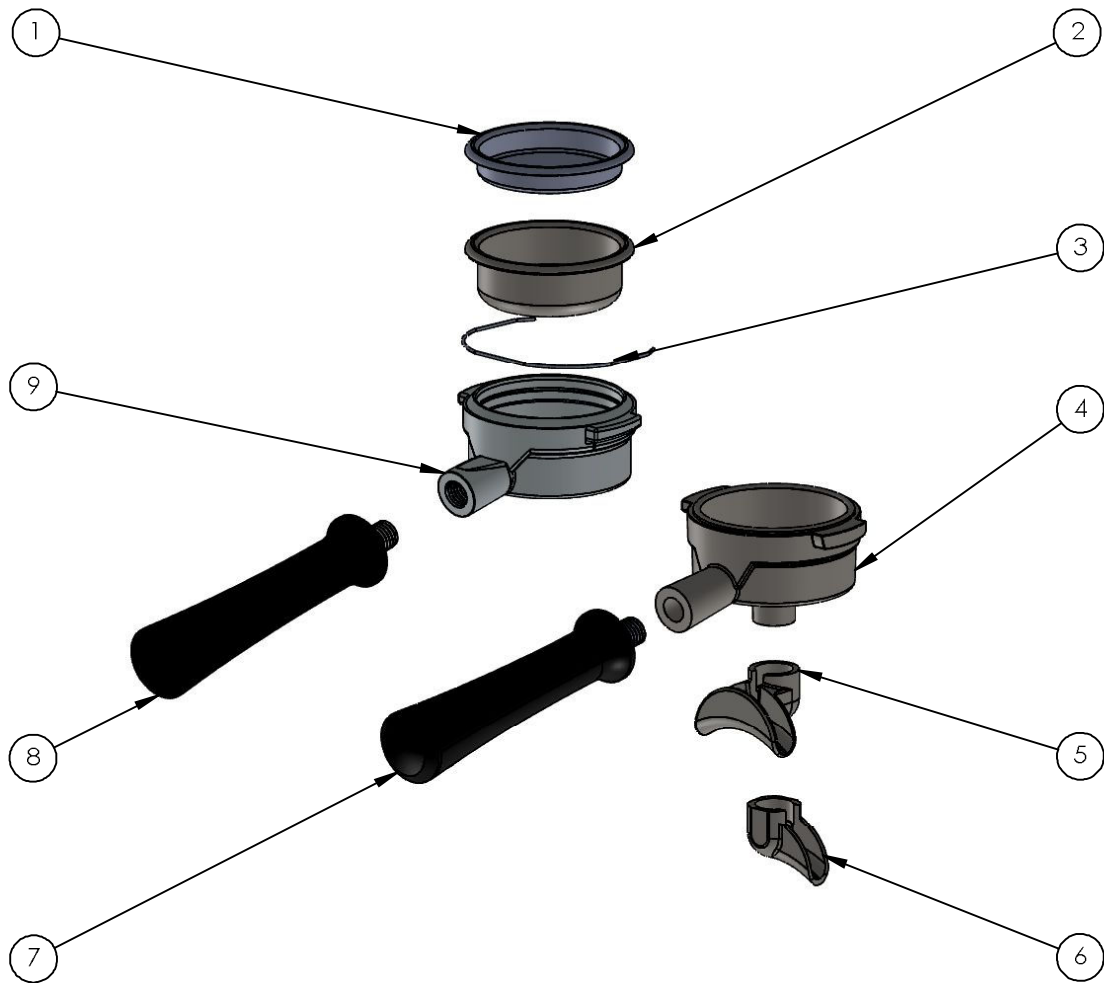




PUMP ASSEMBLY & LINES

ITEM NO.	PART NUMBER	DESCRIPTION
1	30000-20470	HARNESS, MOTOR, 2/3 GROUP,UL
	30000-20446	HARNESS, MOTOR, 2/3 GROUP,CE
2	30000-58020	PUMP MOTOR
3	44000-58010	V BAND CLAMP
4	40005-10010	STAINLESS STEEL HOSE, 3/8" FC X CFC 2000mm
5	42000-10050	TEE FITTING, M-F-M, 3/8" BSPT MALE, 3/8" BSPP FEMALE
6	42000-10030	TEE FITTING, 3/8 M/M/M
7	46000-50130	COPPER GASKET FOR PRV, 3/8"
8	42000-10060	REDUCER, 3/8" - M X 1/8" - F
9	46000-50320	BREW GAUGE, 20BAR, CUSTOM PRINTED SLAYER LOGO. SCALE IN BAR.
10	30000-58030	PUMP, 45 GPH

PORTAFILTERS



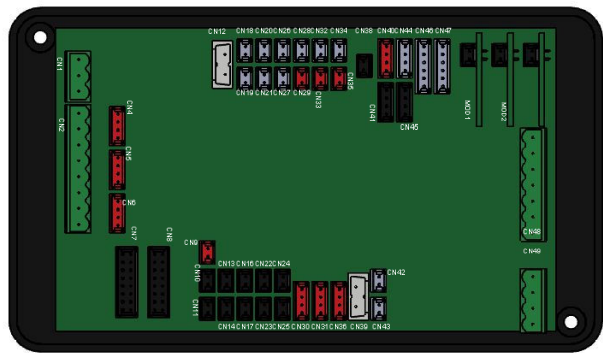
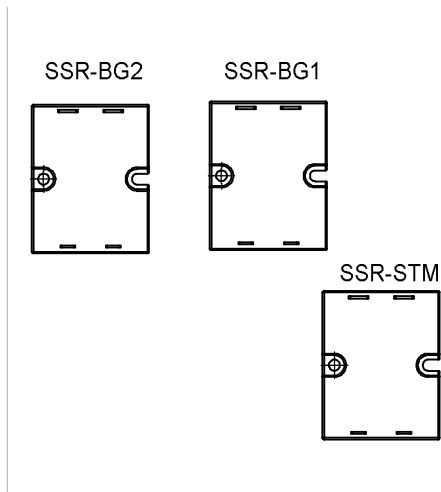


PORTAFILTERS

ITEM NO.	PART NUMBER	DESCRIPTION
1	46000-56100	PORTAFILTER, BLIND
2	46000-56551	SINGLE BASKET, RIDGELESS
	46000-56552	DOUBLE BASKET, STEAM
	46000-56080	TRIPLE PORTAFILTER BASKET, RIDGELESS
3	46000-56160	PORTAFILTER LOCKING SPRING, 1.20 mm, STAINLESS
4	46000-56120	SPOUTED PORTAFILTER BODY ONLY
5	46000-56130	DOUBLE SPOUT
6	46000-56131	SINGLE SPOUT
7	24015-10011	PORTAFILTER HANDLE, OVERMOLDED RUBBER, LOGO
8	24015-10020	PORTAFILTER HANDLE, ONYX DURATEX, STEAM
9	46000-56041	PORTAFILTER BODY, NAKED, METAL ONLY

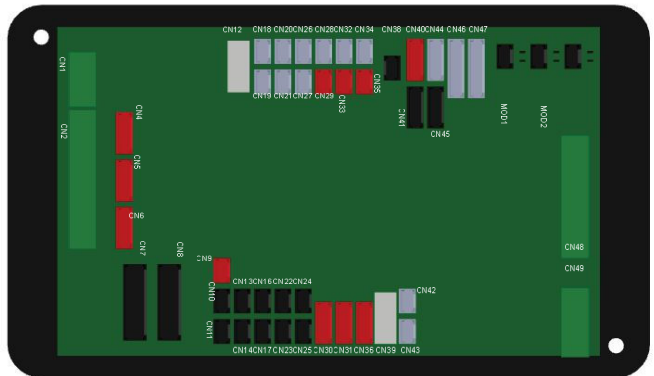
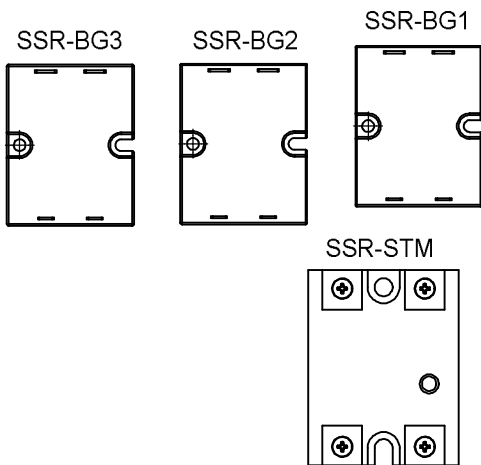
WIRE MAP

2-GROUP MACHINES



2 GROUP MACHINES

3-GROUP MACHINES



3 GROUP MACHINES

WIRE MAP: 2-GROUP MACHINES

GROUP 1	connection	position	wire color
GH1 SW-RIGHT	CN14	2	YELLOW
		1	BLACK/WHITE
GH1 SW-LEFT	CN8	10	WHITE
RTD	CN10	1	BLACK/WHITE
		2	RED
LED	CN19	2	BLACK/ORANGE
FLOW METER	CN2	6	YELLOW/GREEN
BREW SOLENOID	CN48	7	BLUE/WHITE
PRE-INF. SOLENOID	CN48	1	WHITE / ORANGE
BREW HEATER	CN18	2	GRAY
MANUAL MODE	CN22	-	GRAY / WHITE

GROUP 2	connection	position	wire color
GH2 SW-RIGHT	CN17	2	YELLOW
		1	BLACK/ MAROON
GH2 SW-LEFT	CN8	16	ORANGE
RTD	CN13	1	BLACK/BROWN
		2	RED
LED	CN21	2	BLACK/BLUE
FLOW METER	CN2	7	YELLOW/ORANGE
BREW SOLENOID	CN48	6	BLUE/BROWN
PRE-INF. SOLENOID	CN48	4	WHITE / BLUE
BREW HEATER	CN20	2	GRAY/YELLOW
MANUAL MODE	CN23	-	GRAY / BLUE

	connection	position	wire color
GROUND	CN2	1	GREEN
FLOW MTR GND	CN2	2	BLACK
FLOW MTR +10Vdc	CN2	3	RED
HOT WATER SW.	CN11	2	VIOLET/BLACK
		1	BLACK
STEAM SW. LEFT	CN8	6	GREEN
STEAM SW. RIGHT	CN8	2	GRAY
STEAM SOL.-LEFT	MOD2	2	RED/WHITE
STEAM SOL. - RIGHT	MOD1	2	ORANGE
LEVEL PROBE	CN2	4	GRAY
AUTOFILL SOL.	CN48	3	BROWN/WHITE
HOT WATER SOL.	CN48	2	BROWN/YELLOW
STEAM HEATER	CN28	2	BLACK/ORANGE
24vDC +	CN1	1	RED
-	CN1	3	BLACK
PUMP 115/240Vac	CN49	4	WHITE
	CN49	3	YELLOW



WIRE MAP: 3-GROUP MACHINES

GROUP 1	connection	position	wire color
GH1 SW-RIGHT	CN14	2	YELLOW
		1	BLACK/WHITE
GH1 SW-LEFT	CN8	10	WHITE
RTD	CN10	1	BLACK/WHITE
		2	RED
LED	CN19	2	BLACK/ORANGE
FLOW METER	CN2	6	YELLOW/GREEN
BREW SOLENOID	CN48	7	BLUE/WHITE
PRE-INF. SOLENOID	CN48	1	WHITE / ORANGE
BREW HEATER	CN18	2	GRAY
MANUAL MODE	CN22	-	GRAY / WHITE

GROUP 2	connection	position	wire color
GH2 SW-RIGHT	CN17	2	YELLOW
		1	BLACK/ MAROON
GH2 SW-LEFT	CN8	16	ORANGE
RTD	CN13	1	BLACK/BROWN
		2	RED
LED	CN21	2	BLACK/BLUE
FLOW METER	CN2	7	YELLOW/ORANGE
BREW SOLENOID	CN48	6	BLUE/BROWN
PRE-INF. SOLENOID	CN48	4	WHITE / BLUE
BREW HEATER	CN20	2	GRAY/YELLOW
MANUAL MODE	CN23	-	GRAY / BLUE

GROUP 3	connection	position	wire color
GH3 SW-RIGHT	CN25	2	YELLOW
		1	BLACK/ BLUE
GH3 SW-LEFT	CN8	14	VIOLET / WHITE
RTD	CN16	1	BLACK
		2	RED
LED	CN27	8	BLACK/WHITE
FLOW METER	CN2	7	YELLOW/VIOLET
BREW SOLENOID	CN48	5	BLUE/YELLOW
PRE-INF. SOLENOID	MOD 3	1	WHITE / BLACK
BREW HEATER	CN20	2	GRAY/ORANGE
MANUAL MODE	CN23	-	GRAY / BLACK

	connection	position	wire color
GROUND	CN2	1	GREEN
FLOW MTR GND	CN2	2	BLACK
FLOW MTR +10Vdc	CN2	3	RED
HOT WATER SW.	CN11	2	VIOLET/BLACK
		1	BLACK
STEAM SW. LEFT	CN8	6	GREEN
STEAM SW. RIGHT	CN8	2	GRAY
STEAM SOL.-LEFT	MOD2	2	RED/WHITE
STEAM SOL. - RIGHT	MOD1	2	ORANGE
LEVEL PROBE	CN2	4	GRAY
AUTOFILL SOL.	CN48	3	BROWN/WHITE
HOT WATER SOL.	CN48	2	BROWN/YELLOW
STEAM HEATER	CN28	2	BLACK/ORANGE
24vDC +	CN1	1	RED
-	CN1	3	BLACK
PUMP 115/240Vac	CN49	4	WHITE
		3	YELLOW